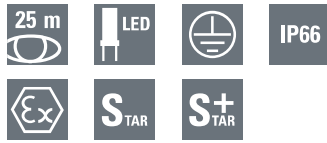


EXIT LED V-CG-S

Safety and Exit Sign Luminaires - Explosion protected



EXIT LED V-CG-S/EXIT LED 2 V-CG-S

- Explosion protected safety luminaire with white high power LEDs
- Minimum maintenance effort with high LED service life via optimised power output control of LED regulation
- Shortened inspection effort due to CEWA GUARD technology
- Automatic function monitoring of up to 20 luminaires per circuit
- Reduced installation expenditure with STAR technology
- Freely programmable mixed operation of the switching modes per luminaire in one circuit

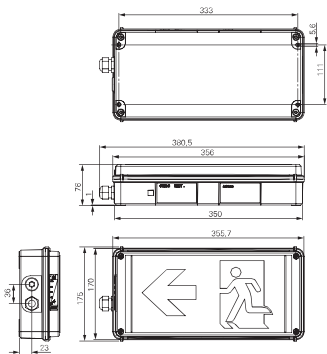
EXIT LED V-CG-S



EXIT LED V-CG-S without pictogram



Dimensions in mm



Viewing distance	25 m (gem. DIN EN 1838)	
Marking acc. to 2014/34/EU	EXIT V-CG-S	II 2 G Ex e ib mb IIC T6/T5 Gb
	EXIT 2 V-CG-S	II 2 D Ex tb IIIC T80°C Db
EC-type examination certificate	EXIT V-CG-S	BVS 09 ATEX E 029
	EXIT 2 V-CG-S	BVS 15 ATEX E 074
IECEx-inspection certificate	EXIT V-CG-S	IECEx BVS 13.0017
	EXIT 2 V-CG-S	IECEx BVS 15.0065
Marking acc. to IECEx	EXIT V-CG-S	Ex e ib mb IIC T6/T5 Gb Ex tb IIIC T80°C Db
	EXIT 2 V-CG-S	Ex e ic mc IIC T6/T5 Gc Ex tc IIIC T80°C Dc
Housing material	Polycarbonate (850 °C glow wire resistant)	
Housing colour	Grey, RAL 7035	
Protective cover	Polycarbonate	
Rated voltage EXIT CG-S admissible tolerances acc. to EN 60079-0	AC: 220 – 254 V, 50/60 Hz DC: 195 – 250 V	
Current consumption - battery operation (220 V)	20 mA	
Rated power	approx. 6 VA	
Permissible temperature range	– 20 °C to + 40/50 °C (T6/T5)	
Cable infeeds	1 x Ex e-cable entry M20 x 1.5 (Plastic) 1 x Ex e-blanking plug M20 x 1.5	
Connection terminals	3 x Loop terminals 2.5 mm ²	
Type of mounting	Wall mounting	
Light source	High-power LEDs, white	

Ordering details

Type	Scope of supply	Order No.
EXIT LED V-CG-S	including cover with silk-screened pictogram PR	12191020021
	including cover with silk-screened pictogram PL	12191020022
	including cover with silk-screened pictogram PU	12191020023
	including cover, clear, without pictogram	12191020004
EXIT LED 2 V-CG-S	including cover with silk-screened pictogram PR	12193020021
	including cover with silk-screened pictogram PL	12193020022
	including cover with silk-screened pictogram PU	12193020023
	including cover, clear, without pictogram	12193020004

Other pictograms on request